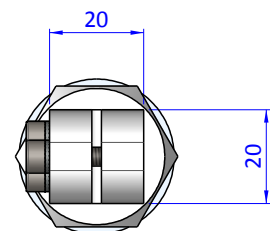
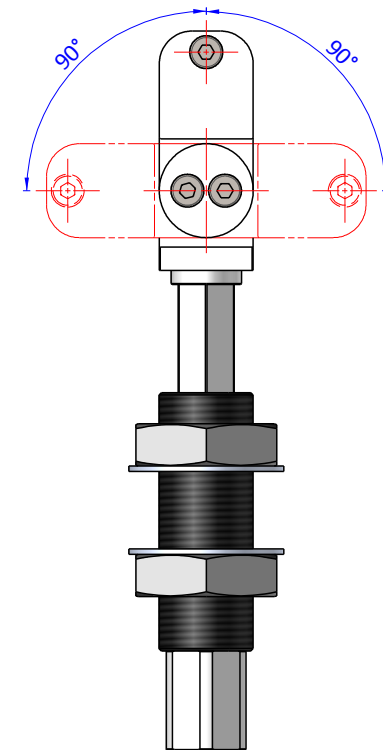
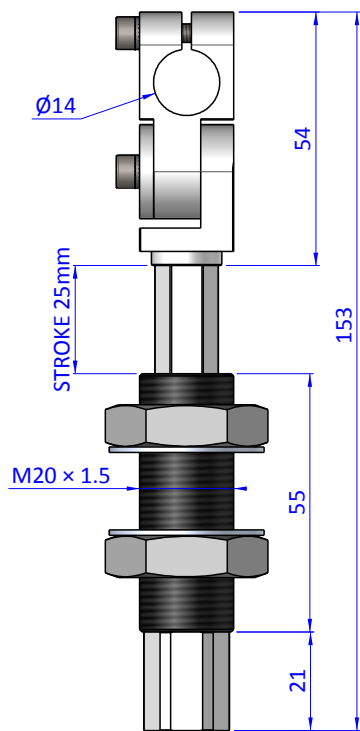
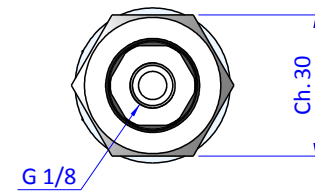
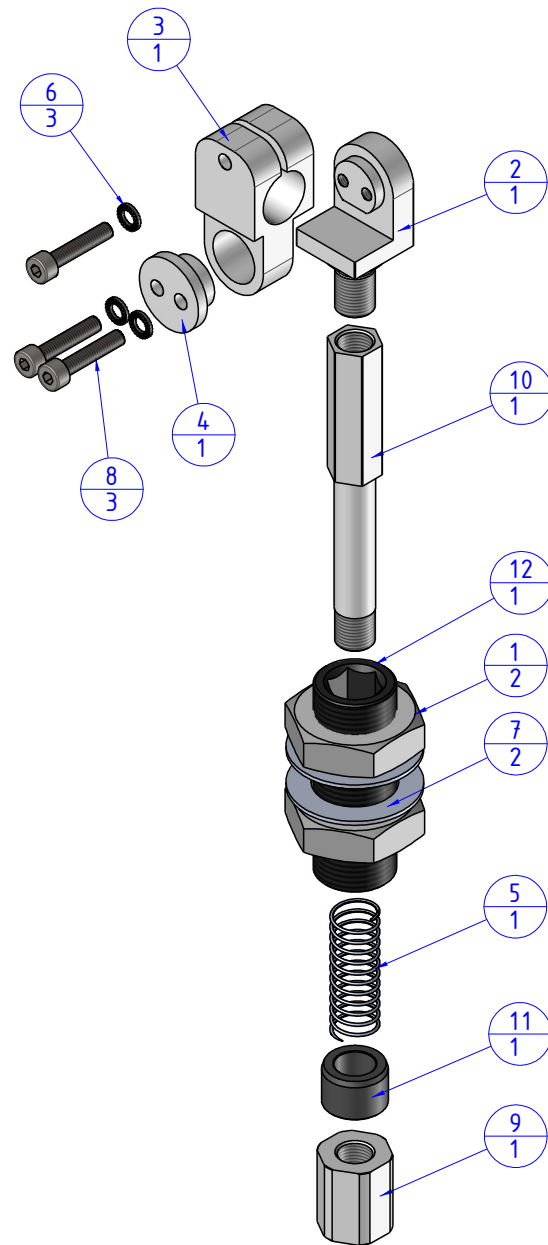


THE PROPERTY OF THE DRAWING IS ESTABLISHED BY LAW. IT IS FORBIDDEN TO PRODUCE OR SHOW IT TO THIRD PARTY, WITHOUT A WRITTEN AGREEMENT.

Object Number	Name	QTY
1	05.02.001.06	2
2	GRZ.202514.1	1
3	GVR.14.2	1
4	GVR.14.3	1
5	M.12X39.50	1
6	R.4.SCH	3
7	R.20.SCH	2
8	V.TCE4X20	3
9	VSN.20.1	1
10	VSN.2025.4	1
11	VSN.2025.3	1
12	VSNG.2025.2.1	1



		DESIGNED FROM		REVIEW
		FPSERVICES		A
GENERAL TOLERANCE		DATE	WEIGHT	
UNI - ISO 2768		07/02/2019	0,130kg	
CLASSE F		CODE		
		CA.SMNG.202514		CA.SMNG.202514

Format A3

UNI 936-76